

# Pedestrian stacker truck 1,0 ton

## BT tyro

SHE100



# Pedestrian stacker truck

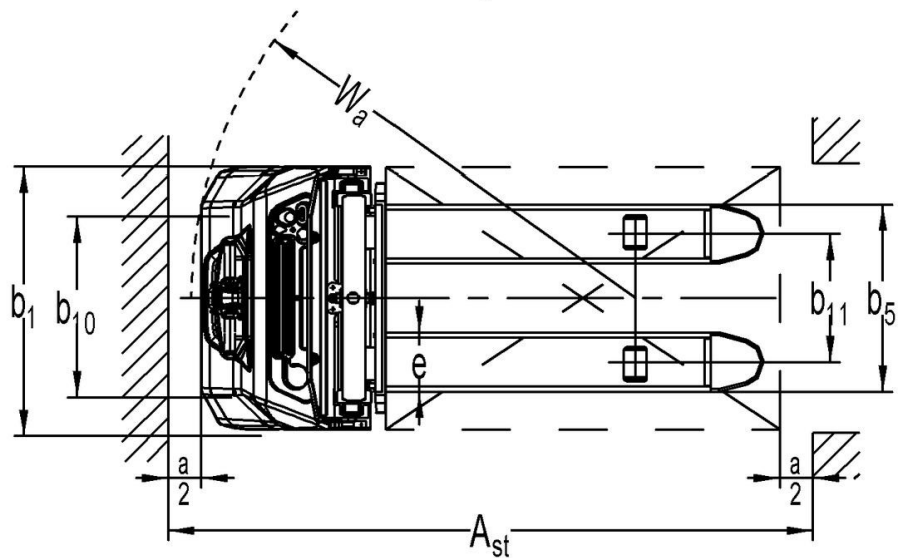
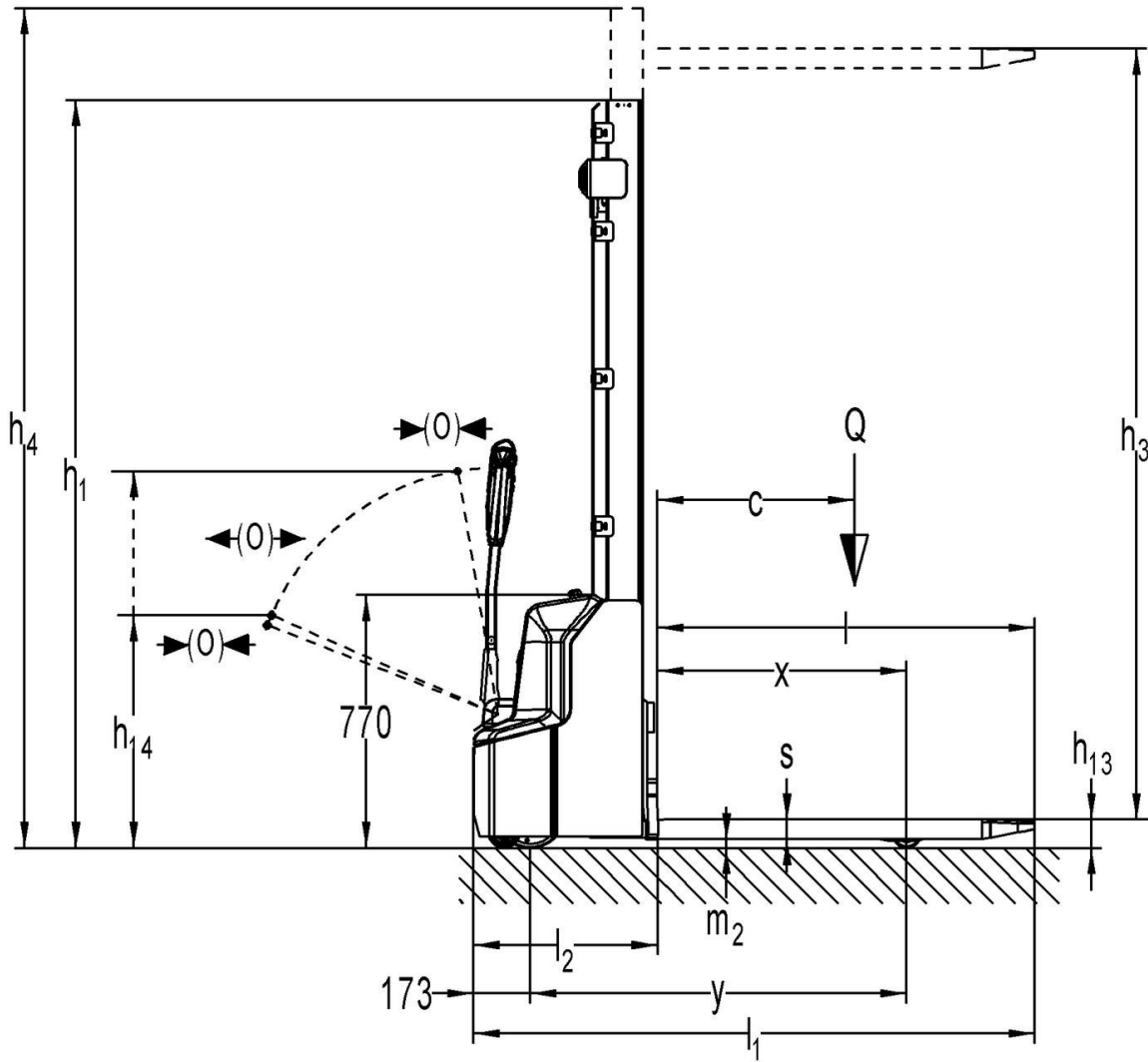
Truck specifications					SHE100	
Identification	1.2	Model			SHE100	
					$h_{23} = 2900$	$h_{23} = 3600$
	1.3	Drive			Battery	
	1.4	Operator type			Pedestrian	
	1.5	Load capacity/rated load	Q	kg	1000	
	1.6	Load centre	c	mm	600	
	1.8	Load distance, center of drive axle to fork	x	mm	760	
1.9	Wheelbase	y	mm	1147		
Weight	2.1	Service weight		kg	565	594
	2.2	Axle loading, laden front/rear		kg	565/1000	575 / 1019
	2.3	Axle loading, unladen front/rear		kg	435/130	455 / 139
Wheels	3.1	Wheels			Polyurethane	
	3.2	Wheel size, front	$\varnothing$ x width	mm	210x70	
	3.3	Wheel size, rear	$\varnothing$ x width	mm	84 x 93	
	3.4	Additional wheels, dimensions	$\varnothing$ x width	mm	100 x 50	
	3.5	Wheels, number front/rear (x = driven wheels)			1x + 1 / 2	
	3.6	Track width, front	$b_{10}$	mm	550	
	3.7	Track width, rear	$b_{11}$	mm	400 / 515	
Dimensions	4.2	Lowered mast height	$h_1$	mm	1930	2280
	4.3	Free Lift height	$h_2$	mm	-	-
	4.4	Lift height	$h_3$	mm	2814	3514
	4.5	Extended mast height	$h_4$	mm	3337	4037
	4.9	Height of tiller in drive position, min./max.	$h_{14}$	mm	710 / 1150	
	4.15	Height, fork lowered	$h_{13}$	mm	86	
	4.19	Overall length	$l_1$	mm	1710	
	4.20	Length to face of forks	$l_2$	mm	560	
	4.21	Overall width	$b_1$	mm	800	
	4.22	Fork dimensions	s/e/l	mm	60 / 180 / 1150	
	4.25	Width over forks	$b_5$	mm	570	
	4.32	Ground clearance, centre of wheelbase	$m_2$	mm	30	
	4.34.1	Aisle width for pallets 1000x1200 crossways	$A_{st}$	mm	2197	
	4.34.2	Aisle width for pallets 800x1200 lengthways	$A_{st}$	mm	2145	
4.35	Turning radius	Wa	mm	1350		
Performance	5.1	Travel speed, with/without load		km/h	4,2 / 4,5	
	5.2	Lift speed, with/without load		m/s	0,11 / 0,16	
	5.3	Lowering speed, with/without load		m/s	0,13 / 0,11	
	5.8	Max. gradeability, with/without load		%	5/10	
	5.10	Service brake			Electromagnetic	
Electric motor	6.1	Drive motor rating S2 60 min		kW	0,65	
	6.2	Lift motor rating at S3 7,5%		kW	2,2	
	6.4	Battery voltage/nominal capacity K5		V/Ah	24 / 60	
	6.5	Battery weight +/- 5%		kg	19	
	6.6	Energy consumption acc. to EN16796 cycle		kWh/h	0,47	
	Other	8.1	Type of drive control			DC speed control
8.4		Sound level at the driver's ear according to EN 12 053		dB (A)	<70	

Truck performance and dimensions are nominal and subject to tolerances.  
Toyota Material Handling products and specifications are subject to change without notice.

# Mast dimensions

# BT tyro

SHE100			Duplex Tele	
$h_{23}$	Lift height ( $h_{13}+h_3$ )	mm	2900	3600
$h_3$	Lift	mm	2814	3514
$h_1$	Height, mast lowered	mm	1930	2280
$h_2$	Free lift, ground to top of forks	mm	-	-
$h_4$	Height, mast extended	mm	3337	4037



---

## Truck features:

- Integrated Li-ion battery and charger with wall socket connection
- Compact dimensions (truck length: 560 mm, chassis height: 770 mm)
- Maximum lift height 3600 mm
- See through mast visibility - excellent visibility over forks
- Low energy consumption - thanks to low weight and Li-Ion technology
- Central steering arm
- Ergonomic and intuitive tiller arm control including turtle mode and safety button
- Informative display on truck status, hour meter, error codes and battery status
- PIN code start-up
- Reduced speed when cornering
- Automatic switch-off
- Storage compartments

